

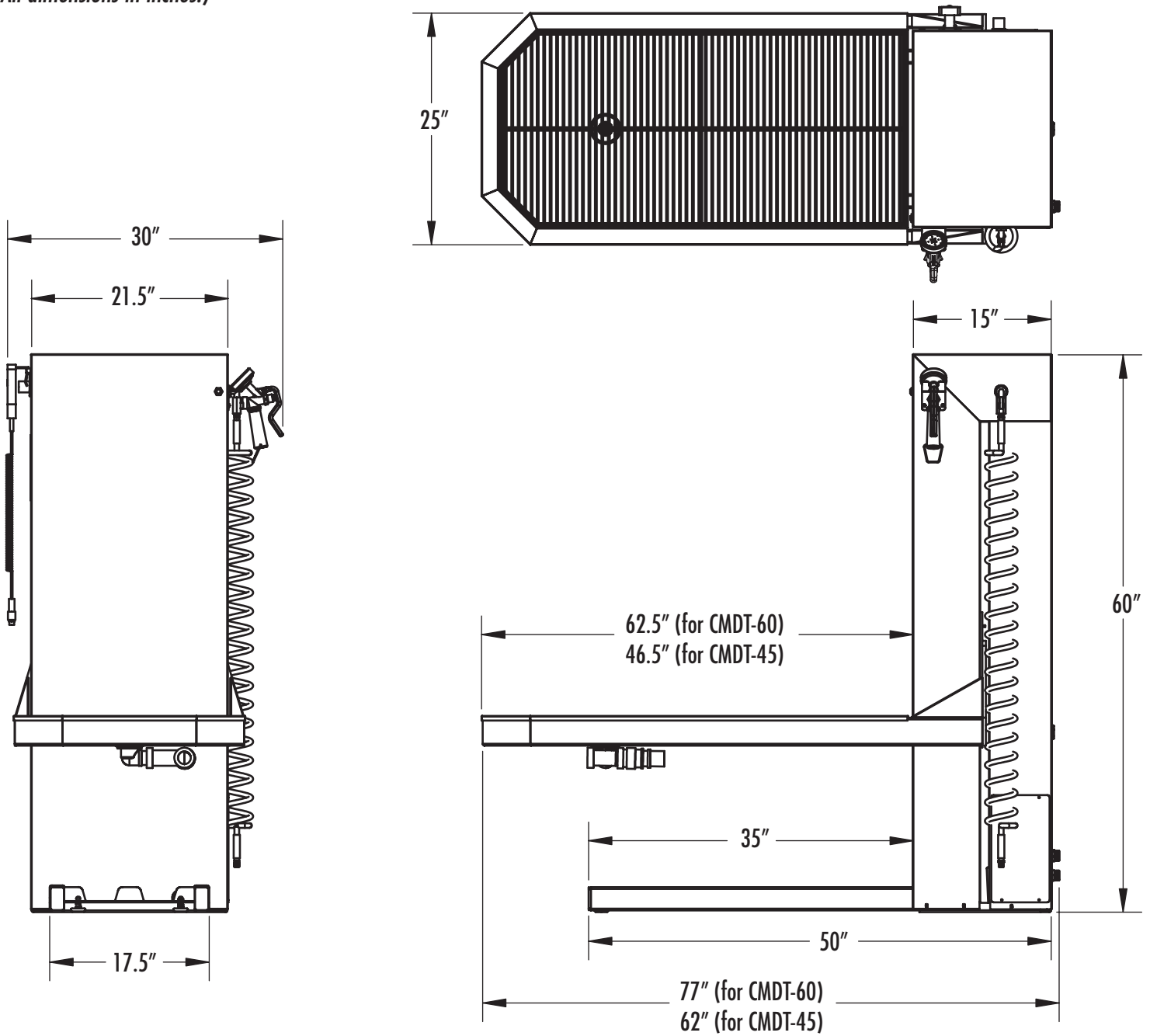
Canis Major™

WET DENTAL /
TREATMENT
LIFT TABLE



Dimensions for Canis Major Wet Table

(All dimensions in inches.)



Form #09900373 Rev. A1 Matrix by Midmark (2/07)



1-800-MIDMARK | midmark.com