

SPECIFICATION

Seamless welded construction, fabricated of 14 gauge type 304 stainless steel. 1-1/2" dia. roll rim on front and sides. Interior surfaces polished to a Hand-Blended Just Finish. Exposed exterior surfaces polished with a standard brush finish. Furnished with two 14 gauge type 304 stainless steel wall brackets, and one 14 gauge stainless steel wall clip. Drain punch for #35 centered for PJ-35 drain.

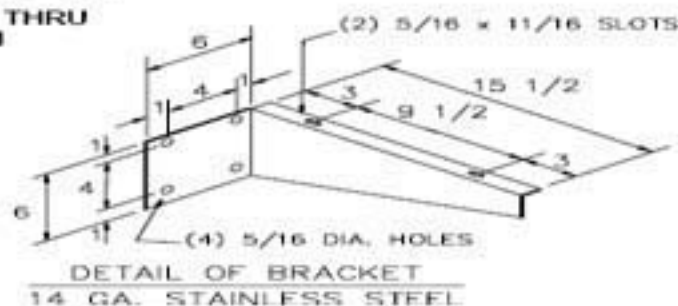
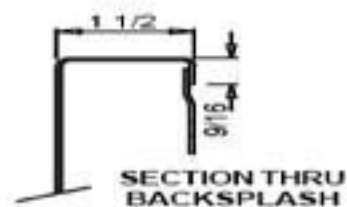
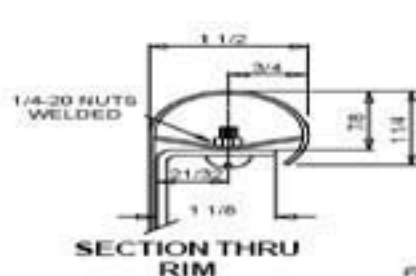
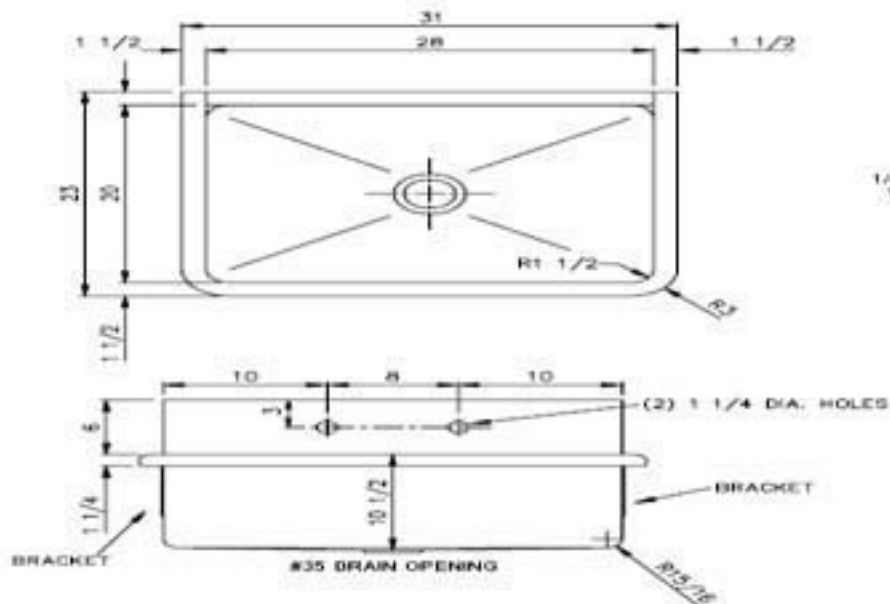
To be specified :

■ Faucet hole punching:

- (1) Hole Centered (2) Holes on 8" centers(illustrated)
- (3) Holes on 4 "centers

Alternate Punching:

Faucet Model: _____
Punching required: _____



SUBMITTAL DATA

